

Scale: 3/4" = 1'
Not keyed to the specifications.

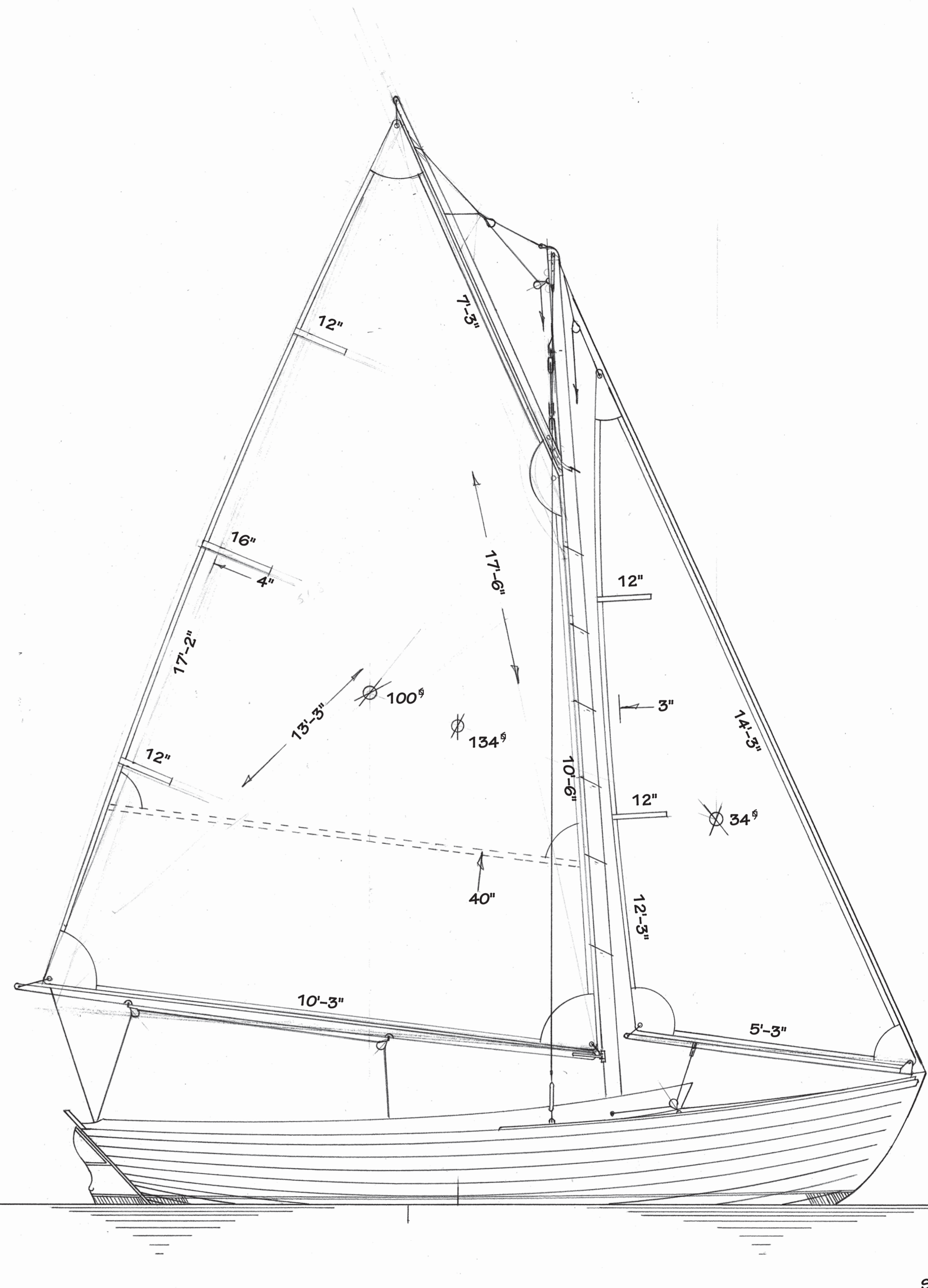
NOTES

- 5/8" sail track along mast and boom
- Foot of jib laced to club, or loose-footed with 3" roach

Somes Sound 12½ SAIL PLAN, MARCONI RIG

John Brooks • Brooks Boats Designs
831 Reach Road, Brooklin, Maine 04616 • 207-359-2491
brooksboatsdesigns.com • brooksboatsdesigns@gmail.com

Design #39 John Brooks © 2010



Scale: 3/4" = 1'
Not keyed to the specifications.

NOTES

- 5/8" sail track along boom and gaff
- Foot of jib laced to club, or loose-footed with 3" roach
- Mast hoops: 4" to 4½"

Somes Sound 12½ SAIL PLAN, GAFF RIG

John Brooks • Brooks Boats Designs
831 Reach Road, Brooklin, Maine 04616 • 207-359-2491
brooksboatsdesigns.com • brooksboatsdesigns@gmail.com

Design #39 John Brooks © 2010